

Chelsea Sensor Pull Down Kitchen Faucet

FEATURES:

- 1.8 GPM (6.8 L/min) flow rate
- Brass construction
- Side mounted sensor eye
- Battery powered (6-AA included)
- Side lever handle
- 1/4 turn ceramic cartridge
- Flexible stainless steel inlet supply lines included, with 3/8" compression fittings and 1/2" threaded adaptors
- Two function pull down sprayer: aerated and spray
- Corrosion resistant finishes
- Coordinates with Chelsea Collection

STOCK FINISHES:



PC BRB MB SS

ADD-ONS:

- SB-DECK: Kitchen Deck Plate (PC, BRB, MB, SS)
- S-3471: Strainer Drain (PC, MB, SS)
- RPG76-107259: AC Conversion Kit

STANDARDS:

- ASME A112.18.1/CSA B125.1 certified
- NSF/ANSI 61 certified
- NSF 372 certified
- CEC (CA Energy Commission) certified
- ADA certified

WARRANTY:

Visit www.speakman.com for full product warranty information

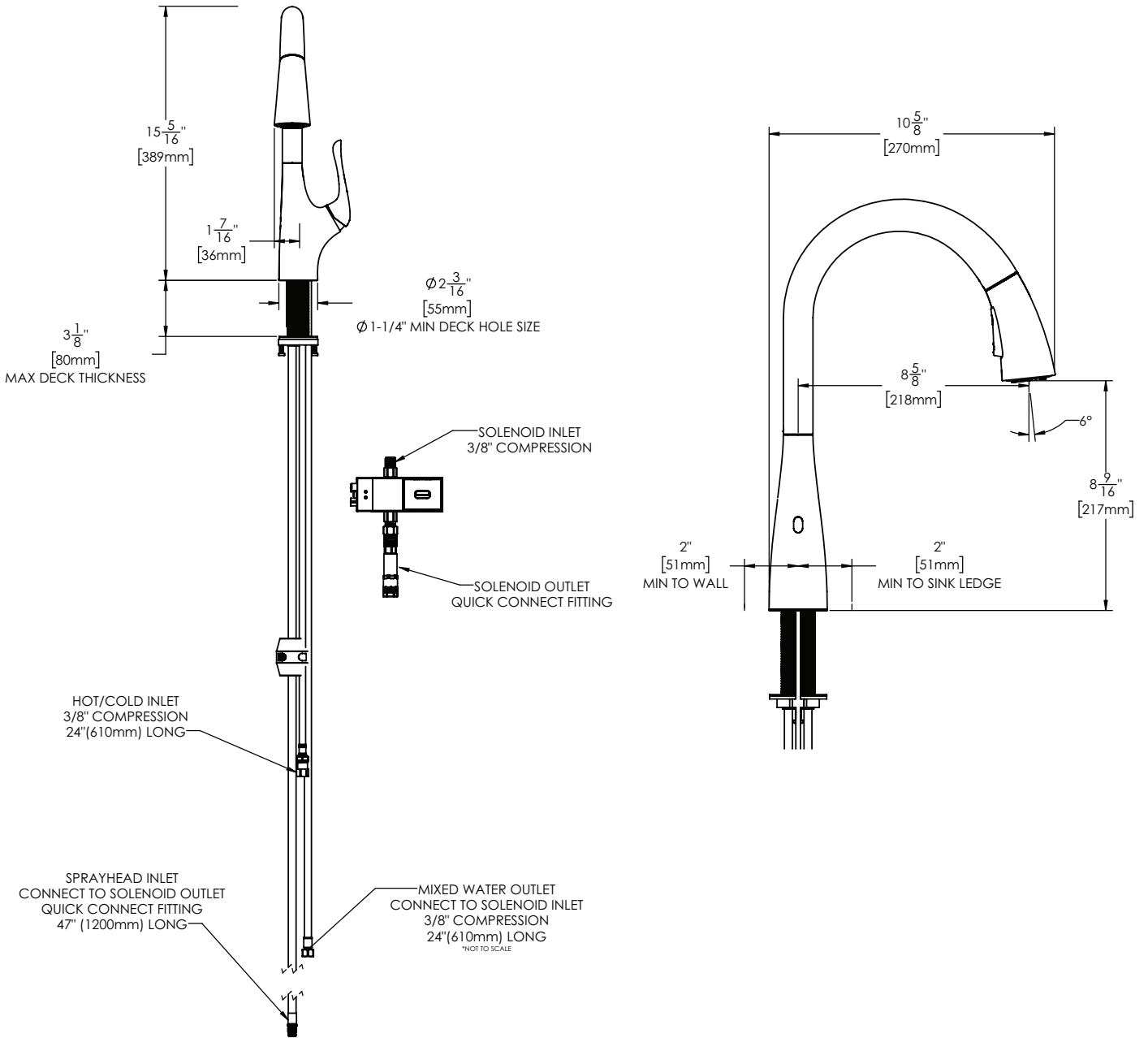
- Limited Lifetime Warranty (consumer)
- 5 Year Limited Warranty (commercial)



Information continues on next page

1. All dimensions are in inches (millimeters) unless otherwise specified and are subject to change without notice.

Chelsea Sensor Pull Down Kitchen Faucet



1. All dimensions are in inches (millimeters) unless otherwise specified and are subject to change without notice.

Architect/Engineer Approval Space:

P: 800-537-2107
F: 800-977-2747
W: WWW.SPEAKMAN.COM
R: 02-APRIL 2022